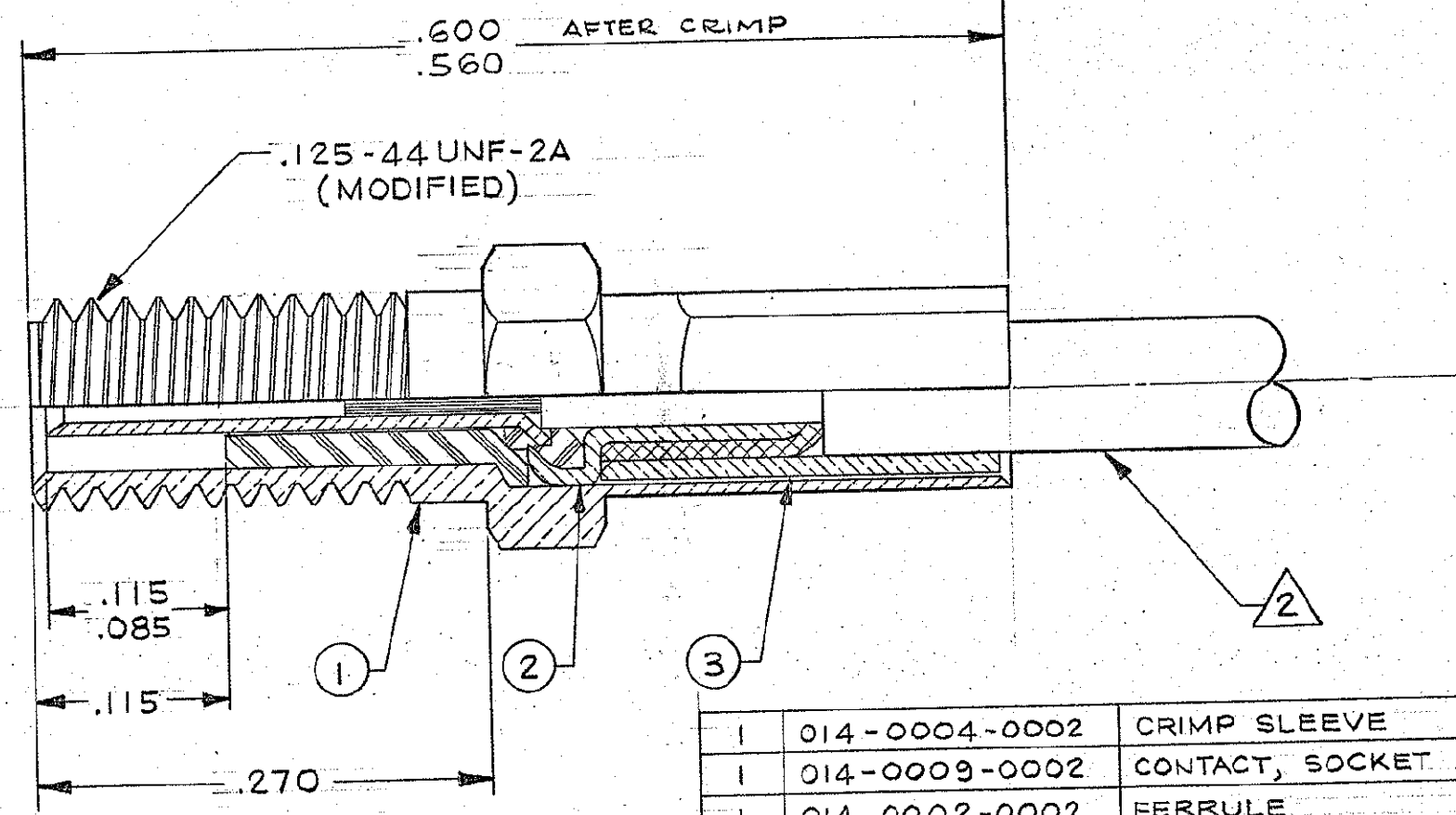
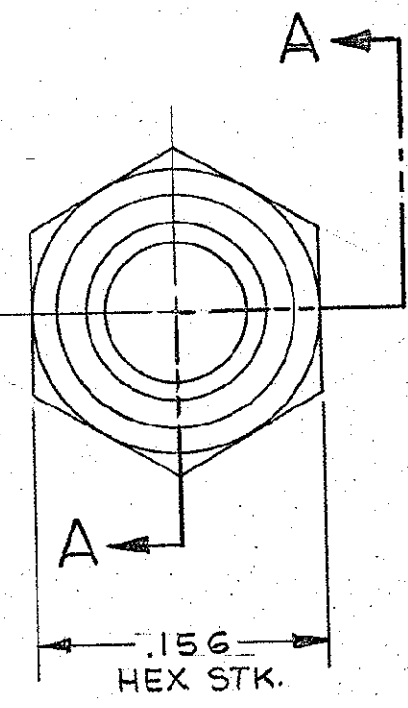


REVISIONS					
ZONE	LTR	ECN	DESCRIPTION	DATE	APPROVED
	D	23320	REVISED & REDRAWN	5-4-78	PM
	E	39702	UPDATE REV LETTER.	12-3-99	PM

## SECTION A-A



- NOTES: UNLESS OTHERWISE SPECIFIED**
1. ALL METALLIC PARTS ARE GOLD PLATED PER MIL-G-45204, TYPE II, GRADE C, CLASS I.
  2. CABLE ACCEPTANCE DIMENSIONS - CENTER COND. .012 NOM., DIELECTRIC .040 MAX., JACKET .081 MAX.
  3. MATES WITH ALL LEPRA/CON 142 SCREW-ON SERIES PLUGS.
  4. SEE RF-ASMB-12 FOR CABLE ASSEMBLY INSTRUCTIONS. ASSY. TOOL REQUIRED: 010-0132-0000 FOR HOUSING AND 010-0150-0000 FOR CONTACT.

QTY.	PART NO.	DESCRIPTION	MATERIAL	ITEM NO.
1	014-0004-0002	CRIMP SLEEVE	LEADED COPPER OR O.F.H.C. COPPER	3
1	014-0009-0002	CONTACT, SOCKET	LEADED COPPER OR O.F.H.C. COPPER	
1	014-0002-0002	FERRULE	BRASS, QQ-B-626	
1	014-0001-0001	INSULATOR, FERRULE	TEFLON, L-P-403	
1	014-1009-0001	SOCKET CONTACT SUBASSY		2
1	014-0010-0002	HOUSING, STRAIGHT JACK	BRASS, QQ-B-626	
1	014-0011-0001	INSULATOR	TEFLON, L-P-403	
1	014-1010-0002	HOUSING SUBASSY		1

UNLESS OTHERWISE SPECIFIED DIMENSIONS ARE IN INCHES TOLERANCES ARE:		CONTRACT NO.		MALCO A MICRODOT COMPANY, INC. 220 PASADENA AVE., SO. PASADENA, CALIF. 91030
FRACTIONS	DECIMALS	ANGLES	DATE	
± .XX	± .010	± 5°	APPROVALS	<b>JACK, SCREW-ON LEPRA/CON</b> PROD. CODE 946 CODE CDM
± .XXX			DRAWN M. PAVICO 4-26-78	
			CHECKED C.E. HARTRICK 5-2-78	
			PR. ENG. PM 5-3-78	
MATERIAL	NOTED		APPROVED	SIZE <b>B</b> CODE IDENT NO. <b>98278</b> DRAWING NO. <b>141-0000-0001</b>
FINISH	NOTED		These drawings and specifications are the property of Microdot Inc. and shall not be divulged, reproduced or copied, or used as the basis for the manufacture or sale of any article without written permission of Microdot Inc.	
NEXT ASSY	USED ON	DO NOT SCALE DRAWING	SCALE 10:1	SHEET 1 OF 1